

HZB12-200 Valve Regulated Lead Acid battery.  
12 year design life for stand by power applications.  
12 Volts 240 Ah

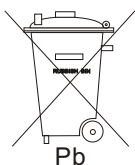
### Innovative Features

- Completely maintenance free, sealed construction eliminates the need for watering
- Special formation process
- Analytical Grade electrolyte
- Spill proof / leak proof
- Valve regulated Max internal pressure 2.5 psi
- Multi-position usage
- ABS Case and cover - V0 on request
- Low self discharge
- FAA and IATA approved as non-hazardous
- Built to comply with IEC 896-2, DIN 43534, BS 6290 Pt4, Eurobat.



### Specifications

Nominal Voltage	12 Volts
Nominal Capacity	240Ah (C20)
Design Life	12 Years
Operating Temperature	-20 °C to 50 °C
Grid alloy	Calcium / Tin lead alloy
Plates	Flat Pasted
Separator	Absorbant Glass Mat
Active material	Very high purity lead
Case and cover	ABS (VO on request)
Charge Voltage	Float 2.25 - 2.30 VPC @25 °C Cycling See Haze cyclic charging profile Max ripple 0.05C (A)
Electrolyte	Sulphuric acid Analytical grade purity
Venting Valve	EPDM Rubber 1.5 to 2 psi (10.5 - 14 KPa) release pressure. Resealing at 1 psi (7 KPa)
Terminal	Insert 18mm Dia M8 thread. Epoxy sealed by extended mechanical paths
Torque setting	The recommended torque value for all types is 5-7 Nm
Cables	Connectors, cables, terminal covers on request.



Haze Battery Company keenly encourages environmental awareness; PLEASE follow guidelines for the recycling /disposal of lead.

Website: [www.hazebattery.com](http://www.hazebattery.com)  
E mail : [sales@hazebattery.com](mailto:sales@hazebattery.com)

Sealed Lead Acid 12 Volt Bloc AGM Range  
PRODUCT SHEET HZB12-200

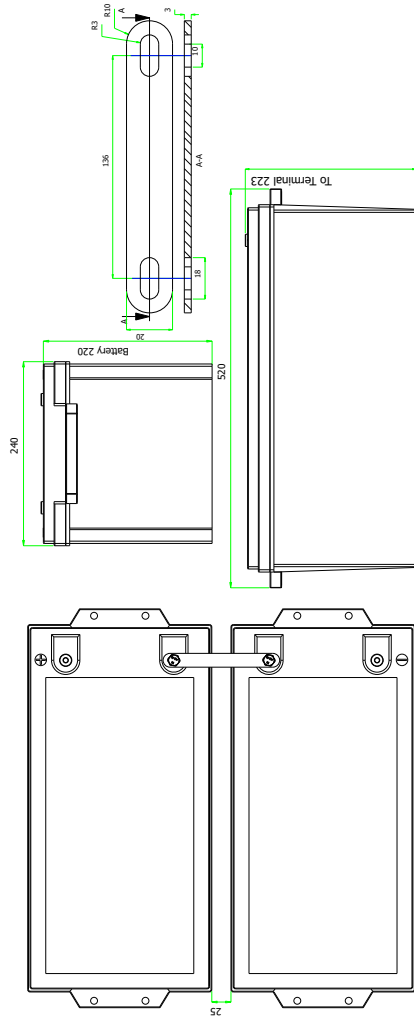
12V  
AGM

## Specifications

Nominal Voltage		12V	
Nominal Capacity		240 Ah	
Dimensions	Total Height	220 mm	8.66 inches
	(Inc. terminals)	n/a mm	n/a inches
	Length	522 mm	20.55 inches
	Width	240 mm	9.45 inches
	Weight	64.8 Kg	143.21 lbs

## Characteristics

Capacity 20-25 °C (68-77 °F) To 1.7 volts	20 hour rate	240.6 Ah
	10 hour rate	225.7 Ah
	5 hour rate	201.3 Ah
	1 hour rate	140.0 Ah
	15 min rate	81.1 Ah
	Internal Resistance	2.5 mOhms
	Impedance	2050 S
Capacity correction for Temperature Variations (C20)	40 °C (104 °F)	102%
	20 °C (68 °F)	100%
	0 °C (32 °F)	85%
	-15 °C (5 °F)	65%
Self-Discharge 20 °C (68 °F)	Capacity after 1 months storage	98%
	Capacity after 3 months storage	94%
	Capacity after 6 months storage	86%
Short Circuit Current 20 °C (68 °F)	5400	
Terminal	Standard	14mm Insert M6 thread
	Optional	Cu/Lead Flag - J Type - Auto
Charging (Constant Voltage)	Cyclic	2.35 - 2.40 VPC (20-25 °C)
	Float	2.27 - 2.30 VPC (15-25 °C)



## Constant Power Discharge - Watts per Cell @ 20-25 °C

End V per Cell	5M	10M	15M	20M	25M	30M	35M	40M	45M	60M	90M	2 hr	3 hr	4 hr	5 hr	6 hr	7 hr	8 hr	10 hr	12 hr	20 hr
1.85	880	591	485	430	397	370	344	320	300	246	184	144	102	79.7	63.5	54.4	48.1	43.2	35.7	30.4	19.5
1.80	940	632	518	459	424	395	367	342	320	263	196	154	109	85.1	67.8	58.1	51.4	46.1	38.1	32.5	20.8
1.75	1000	672	551	488	451	420	390	364	340	280	209	164	116	90.5	72.1	61.8	54.7	49.0	40.6	34.6	22.1
1.70	1022	687	563	499	461	429	399	372	348	286	213	168	119	92.5	73.7	63.1	55.9	50.1	41.5	35.3	22.6
1.67	1031	693	568	503	465	433	402	375	351	289	215	169	120	93.3	-	-	-	-	-	-	-
1.65	1035	696	570	505	467	435	404	377	352	290	216	170	120	93.7	-	-	-	-	-	-	-
1.60	1045	702	576	510	472	439	408	380	356	293	218	171	121	94.6	-	-	-	-	-	-	-

## Constant Amps Discharge - Amps @ 20-25 °C

End V per Cell	5M	10M	15M	20M	25M	30M	35M	40M	45M	60M	90M	2 hr	3 hr	4 hr	5 hr	6 hr	7 hr	8 hr	10 hr	12 hr	20 hr
1.85	422	333	279	243	215	194	176	162	149	121	89.8	72.2	52.7	41.7	34.9	29.9	26.3	23.5	19.4	16.5	10.4
1.80	451	355	298	259	229	207	188	173	159	129	95.9	77.1	56.3	44.5	37.3	31.9	28.1	25.2	20.8	17.6	11.1
1.75	480	378	317	276	244	220	200	184	169	137	102	82.0	59.9	47.4	39.6	33.9	29.9	26.8	22.1	18.8	11.8
1.70	491	386	324	282	249	225	205	188	172	140	104	83.8	61.2	48.4	40.5	34.7	30.6	27.3	22.6	19.2	12.0
1.67	495	390	327	284	252	227	206	189	174	141	105	84.5	61.8	48.8	-	-	-	-	-	-	-
1.65	497	391	329	285	252	228	207	190	175	142	106	84.9	62.0	49.0	-	-	-	-	-	-	-
1.60	502	395	332	288	255	230	209	192	176	143	107	85.7	62.6	49.5	-	-	-	-	-	-	-

## Ampere Hour @ 20-25 °C

End V per Cell	2 hr	3 hr	4 hr	5 hr	6 hr	7 hr	8 hr	10 hr	12 hr	20 hr
1.85	144	158	167	173	179	184	188	194	198	207
1.80	154	169	178	185	191	197	201	208	212	221
1.75	164	180	189	197	204	210	214	221	225	235
1.70	168	184	194	201	208	214	219	226	230	241
1.67	169	185	195	-	-	-	-	-	-	-
1.65	170	186	196	-	-	-	-	-	-	-
1.60	171	188	198	-	-	-	-	-	-	-

**UL Recognised Component MH28512**

