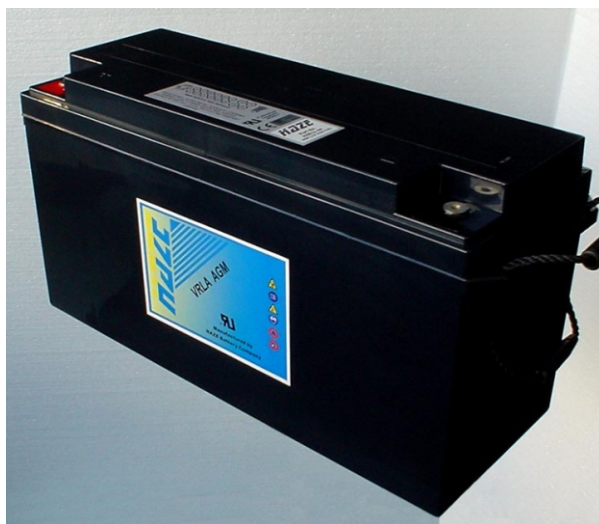


HZB12-150 Valve Regulated Lead Acid battery.
 12 year design life for stand by power applications.
 12 Volts 163 Ah

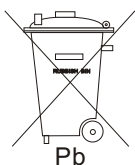
Innovative Features

- Completely maintenance free, sealed construction eliminates the need for watering
- Special formation process
- Analytical Grade electrolyte
- Spill proof / leak proof
- Valve regulated Max internal pressure 2.5 psi
- Multi-position usage
- ABS Case and cover - V0 on request
- Low self discharge
- FAA and IATA approved as non-hazardous
- Built to comply with IEC 896-2, DIN 43534, BS 6290 Pt4, Eurobat.



Specifications

Nominal Voltage	12 Volts
Nominal Capacity	163Ah (C20)
Design Life	12 Years
Operating Temperature	-20 °C to 50 °C
Grid alloy	Calcium / Tin lead alloy
Plates	Flat Pasted
Separator	Absorbant Glass Mat
Active material	Very high purity lead
Case and cover	ABS (VO on request)
Charge Voltage	Float 2.25 - 2.30 VPC @25 °C Cycling See Haze cyclic charging profile Max ripple 0.05C (A)
Electrolyte	Sulphuric acid Analytical grade purity
Venting Valve	EPDM Rubber 1.5 to 2 psi (10.5 - 14 KPa) release pressure. Resealing at 1 psi (7 KPa)
Terminal	Insert 16mm Dia M6 thread. Epoxy sealed by extended mechanical paths
Torque setting	The recommended torque value for all types is 5-7 Nm
Cables	Connectors, cables, terminal covers on request.



Haze Battery Company keenly encourages environmental awareness; PLEASE follow guidelines for the recycling /disposal of lead.

Website: www.hazebattery.com
 E mail : sales@hazebattery.com

Sealed Lead Acid 12 Volt Bloc AGM Range
PRODUCT SHEET HZB12-150

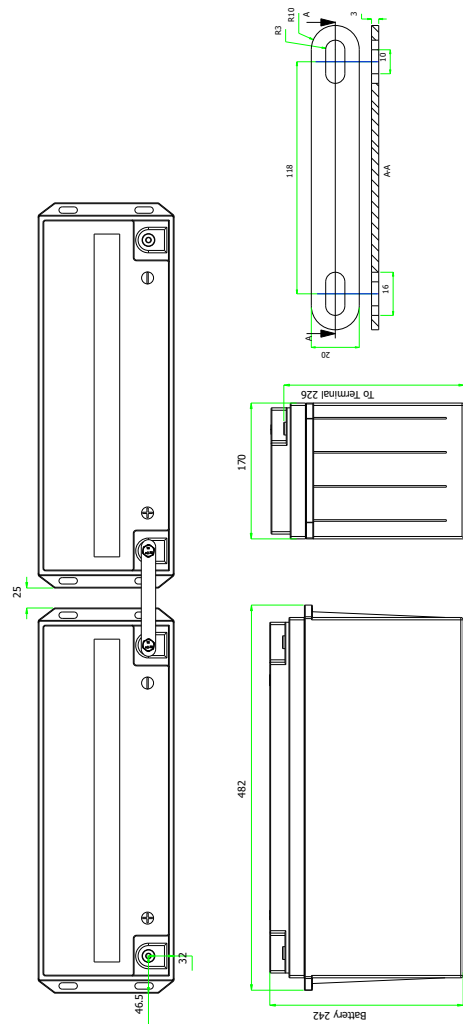
12V
AGM

Specifications

Nominal Voltage		12V	
Nominal Capacity		163 Ah	
Dimensions	Total Height (Inc. terminals)	240 mm n/a mm	9.45 inches n/a inches
	Length	482 mm	18.98 inches
	Width	170 mm	6.69 inches
	Weight	45.3 Kg	100.11 lbs

Characteristics

Capacity 20-25 °C (68-77 °F) To 1.7 volts	20 hour rate	163.5 Ah
	10 hour rate	154.1 Ah
	5 hour rate	146.2 Ah
	1 hour rate	109.7 Ah
	15 min rate	61.4 Ah
	Internal Resistance	2.8 mOhms
Capacity correction for Temperature Variations (C20)	40 °C (104 °F)	102%
	20 °C (68 °F)	100%
	0 °C (32 °F)	85%
	-15 °C (5 °F)	65%
Self-Discharge 20 °C (68 °F)	Capacity after 1 months storage	98%
	Capacity after 3 months storage	94%
	Capacity after 6 months storage	86%
Short Circuit Current 20 °C (68 °F)	4200	
Terminal	Standard	16mm Insert M6 thread
	Optional	Cu/Lead Flag - J Type - Auto
Charging (Constant Voltage)	Cyclic	2.35 - 2.40 VPC (20-25 °C)
	Float	2.27 - 2.30 VPC (15-25 °C)



Constant Power Discharge - Watts per Cell @ 20-25 °C

End V per Cell	5M	10M	15M	20M	25M	30M	35M	40M	45M	60M	90M	2 hr	3 hr	4 hr	5 hr	6 hr	7 hr	8 hr	10 hr	12 hr	20 hr
1.85	864	549	434	370	327	299	273	252	233	190	142	113	79.7	61.0	50.1	42.5	37.0	32.7	26.6	22.3	13.9
1.80	923	586	464	395	350	320	292	269	249	203	151	120	85.1	65.1	53.6	45.4	39.5	34.9	28.4	23.9	14.9
1.75	982	623	493	420	372	340	310	286	265	216	161	128	90.6	69.3	57.0	48.3	42.0	37.1	30.2	25.4	15.8
1.70	1003	637	504	429	380	347	317	292	271	221	164	131	92.5	70.8	58.2	49.3	42.9	38.0	30.9	25.9	16.2
1.67	1012	643	509	433	384	351	320	295	273	223	166	132	93.4	71.5	-	-	-	-	-	-	-
1.65	1016	645	511	435	385	352	321	296	274	224	166	133	93.7	71.7	-	-	-	-	-	-	-
1.60	1026	651	516	439	389	355	324	299	277	226	168	134	94.6	72.4	-	-	-	-	-	-	-

Constant Amps Discharge - Amps @ 20-25 °C

End V per Cell	5M	10M	15M	20M	25M	30M	35M	40M	45M	60M	90M	2 hr	3 hr	4 hr	5 hr	6 hr	7 hr	8 hr	10 hr	12 hr	20 hr
1.85	351	249	211	188	168	153	138	127	117	94.5	69.1	54.5	39.1	30.9	25.2	21.4	18.6	16.4	13.3	11.2	7.04
1.80	375	266	226	201	179	163	148	136	125	101	73.9	58.2	41.8	33.0	26.9	22.9	19.8	17.5	14.2	12.0	7.52
1.75	399	283	240	213	191	173	157	144	133	107	78.6	61.9	44.5	35.1	28.6	24.3	21.1	18.6	15.1	12.7	8.00
1.70	408	289	245	218	195	177	161	147	136	110	80.3	63.3	45.5	35.8	29.2	24.9	21.5	19.0	15.4	13.0	8.18
1.67	412	292	248	220	197	179	162	149	137	111	81.0	63.8	45.9	36.1	-	-	-	-	-	-	-
1.65	413	293	249	221	197	179	163	149	138	111	81.3	64.1	46.0	36.3	-	-	-	-	-	-	-
1.60	417	295	251	223	199	181	164	151	139	112	82.1	64.7	46.5	36.6	-	-	-	-	-	-	-

Ampere Hour @ 20-25 °C

End V per Cell	2 hr	3 hr	4 hr	5 hr	6 hr	7 hr	8 hr	10 hr	12 hr	20 hr
1.85	109	117	122	126	128	130	131	133	134	141
1.80	116	125	131	134	137	139	140	142	143	150
1.75	124	133	139	143	146	148	149	151	153	160
1.70	127	136	142	146	149	151	152	154	156	164
1.67	128	138	144	-	-	-	-	-	-	-
1.65	128	138	144	-	-	-	-	-	-	-
1.60	129	139	145	-	-	-	-	-	-	-



061112